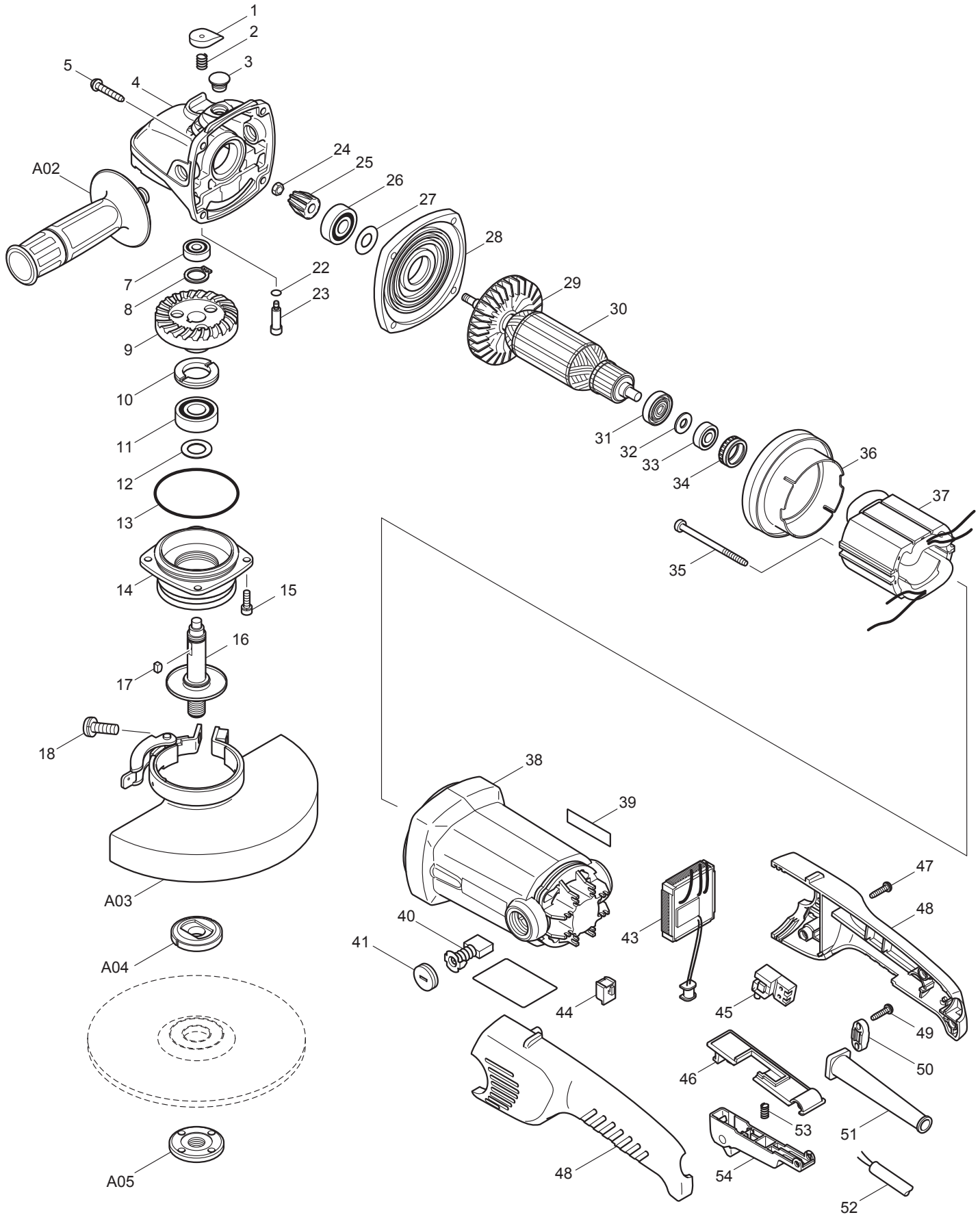




08 - 2010  
GA7010C  
7" ANGLE GRINDER



Item No	Type	Ref	Part No	Description	Qty	Unit
1			418517-3	PIN CAP	1	PC.
2			231037-8	COMPRESSION SPRING 7	1	PC.
3			416972-3	CAP	1	PC.
4	1		317752-9	GEAR HOUSING - N/L/A	1	PC.
	2		318817-0	GEAR HOUSING	1	PC.
5			266173-1	TAPPING SCREW 5X30	4	PC.
7	2		210043-6	BALL BEARING 608LLB	1	PC.
8			961055-9	RETAINING RING S-15	1	PC.
9			227459-8	SPIRAL BEVEL GEAR 37	1	PC.
10			285809-3	BEARING RETAINER 23-36	1	PC.
11			211228-7	BALL BEARING 6202DDW	1	PC.
12			267215-4	FLAT WASHER 15	1	PC.
13			213720-9	O RING 67	1	PC.
14			317754-5	BEARING BOX	1	PC.
15			922221-3	HEX. SOCKET HEAD BOLT M5X16	4	PC.
16	1		153785-8	SPINDLE COMPLETE	1	PC.
	2		153816-3	SPINDLE COMPLETE	1	PC.
17			254011-9	WOODRUFF KEY 4	1	PC.
18			265050-4	PAN HEAD SCREW M8X25 (F/CONVENTIONAL WHEEL COVER)	1	PC.
22			213026-5	O RING 7	1	PC.
23			256483-4	SHOULDER PIN 7	1	PC.
24			931303-0	HEX. NUT M6 (Fastening Torque: 4.9-7.35N.m)	1	PC.
25			227458-0	SPIRAL BEVEL GEAR 11	1	PC.
26			211106-1	BALL BEARING 6201LLB	1	PC.
27			253759-0	FLAT WASHER 12	1	PC.
28			317753-7	GEAR HOUSING COVER	1	PC.
29			240070-9	FAN 76	1	PC.
30			513566-6	ARMATURE ASS'Y 115V	1	PC.
		INC.		Item No. 29, 31-33	1	PC.
31			681660-3	INSULATION WASHER	1	PC.
32			267281-1	FLAT WASHER 8	1	PC.
33			210005-4	BALL BEARING 608DDW	1	PC.
34			421720-7	RUBBER RING 22	1	PC.
35			266059-9	TAPPING SCREW 5X75	2	PC.
36			418516-5	BUFFLE PLATE	1	PC.
37			625701-5	FIELD 115V	1	PC.
38	1		183778-1	MOTOR HOUSING	1	PC.
		INC.	643712-8	BRUSH HOLDER	2	PC.
		INC.		Item No. 39	1	PC.
	2		153786-6	MOTOR HOUSING	1	PC.
		INC.	643712-8	BRUSH HOLDER	2	PC.
39			819063-3	MAKITA LABEL (OLD)	2	PC.
40	1		191957-7	A.C. CARBON BRUSH CB-204 2PCS/SET (W/O ORIGIN)	1	SET
	2		194992-4	A.C. CARBON BRUSH CB-204 2PCS/SET (W/ ORIGIN)	1	SET
41			643700-5	BRUSH HOLDER CAP 7-18	2	PC.
43			631597-4	CONTROLLER	1	PC.
44			418518-1	SLEEVE	1	PC.
45			651922-3	SWITCH TG71B	1	PC.
46			418519-9	SWITCH BASE	1	PC.
47			265995-6	TAPPING SCREW 4X18	4	PC.
48			183783-8	HANDLE SET	1	SET
49			265995-6	TAPPING SCREW 4X18	2	PC.
50			687052-4	STRAIN RELIEF	1	PC.

Item No	Type	Ref	Part No	Description	Qty	Unit
51			682573-1	CORD GUARD 10	1	PC.
52			664463-0	CORD WITH PLUG 2P-14-2.5M, SJ	1	PC.
53			233117-6	COMPRESSION SPRING 6	1	PC.
54	1		153787-4	SWITCH LEVER COMPLETE	1	PC.
	2		153789-0	SWITCH LEVER COMPLETE	1	PC.
D01			654197-3	RING TERMINAL (GARTER SPRING)	2	PC.

### **ACCESSORIES**

- See catalogue or visit [www.makita.ca](http://www.makita.ca) for more optional accessories -

A01			782412-6	LOCK NUT WRENCH 28	1	PC.
A02			152539-0	GRIP 36 COMPLETE	1	PC.
A03	1		163446-2	CONVENTIONAL WHEEL COVER F/7" (TYPE 1) - N/L/A	1	PC.
	2		163425-0	CONVENTIONAL WHEEL COVER F/7" (TYPE 2)	1	PC.
	3		122772-8	TOOLLESS WHEELCOVER ASSY F/7" (TYPE 3)	1	PC.
A04			224317-9	INNER FLANGE 89	1	PC.
A05			224568-4	LOCK NUT 5/8-45	1	PC.
A06	1		741413-B	7" D.C.W 24GRIT	1	PC.
	2		741466-2	7" D.C.W A24R GRIT	1	PC.
	3		D-20806	7" D.C.W A24R GRIT	1	PC.
			741416-7	7" D.C.W 36GRIT	1	PC.
A07			193956-5	DUST COVER ATTACHMENT	1	PC.
A08			743012-7	RUBBER PAD F/7" GRINDER - BULK	1	PC.
			192978-2	RUBBER PAD F/7" GRINDER - PACKAGED	1	PC.
A09			-----	RESIN FIBRE DISC (See Catalogue for Details)	1	PC.
A10	1		224517-1	SANDING LOOK NUT (F/RESIN FIBRE DISC) - N/L/A	1	PC.
	2		193048-0	SANDING LOOK NUT 5/8-48, PKGED	1	PC.
A11			743206-A	6" WIRE KNOT - TYPE CUP BRUSH 5/8-11 ARBOR	1	PC.
			743206-B	6" CRIMPLED WIRE - TYPE CUP BRUSH 5/8-11 ARBOR	1	PC.
			743203-6B	6-1/8" WIRE STRINGER BEAD BRUSH 5/8-11 ARBOR	1	PC.
A12	1		224111-9D	THROW - AWAY ADAPTOR (F/D.C.W.)	1	PC.
	2		224111-9X	RE-USABLE ADAPTOR	1	PC.
A13			724901-8D	7" DIAMOND CUTTER - N/L/A	1	PC.
A15			195386-6	DUST COLLECT COVER SET FOR 7"	1	PC.